

## Deco 1020 - 35kg

[Click here to see online](#)

Available in Hand Drawn and Motorized options (Electric and Battery Options)



White



Silver



Anthracite



Black



Champagne



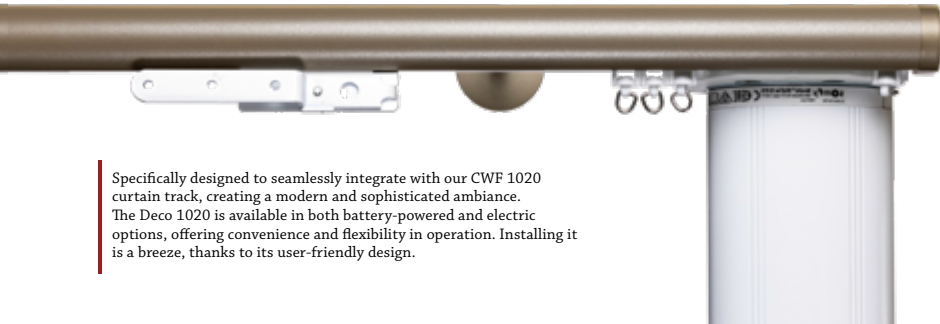
Antique



Silver  
Brushed



Gold






Specifically designed to seamlessly integrate with our CWF 1020 curtain track, creating a modern and sophisticated ambiance. The Deco 1020 is available in both battery-powered and electric options, offering convenience and flexibility in operation. Installing it is a breeze, thanks to its user-friendly design.



Our Deco 1020 Flat motorized smart home system, designed to enhance your space with a sleek, modern look. Compatible with the CWF 1020 curtain track, it offers both battery-powered and electric options for flexible operation.

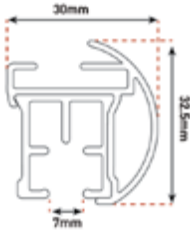


	STANDARD	WAVE	
Y=	5080804000	GLWG7WH6-6cm	GLWG7WH-8cm
			
	19mm	9.5mm	9.5mm

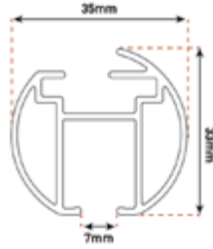
Specs Brackets and Gliders

Profile Specs

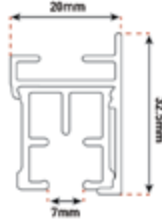
Round Motorised



Round Hand Drawn



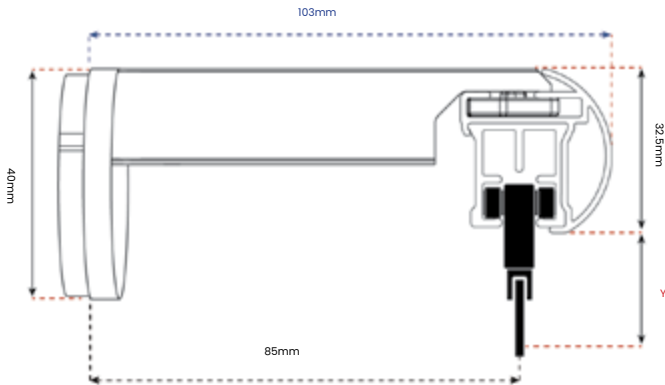
Flat Motorised



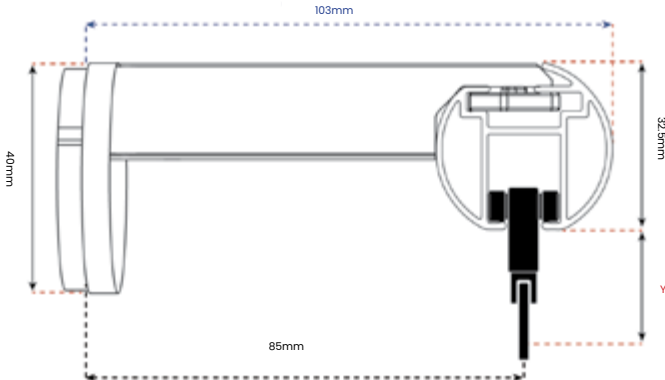
Flat Hand Drawn



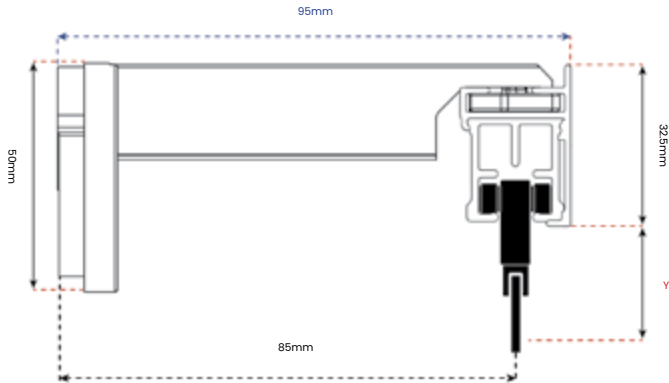
Decorative Wall Fix - Round Motorized



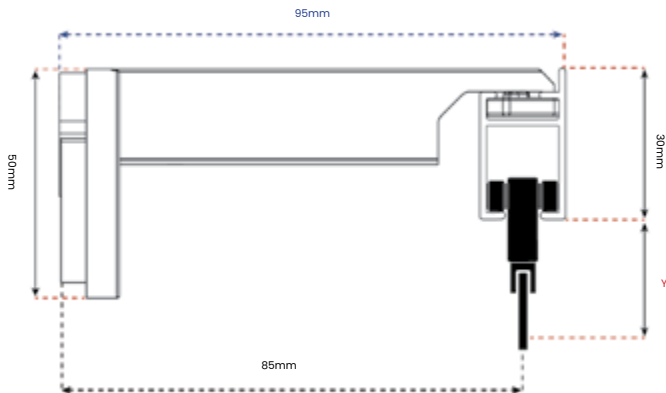
Decorative Wall Fix - Round Hand Drawn



Decorative Face Fix - Flat Motorized

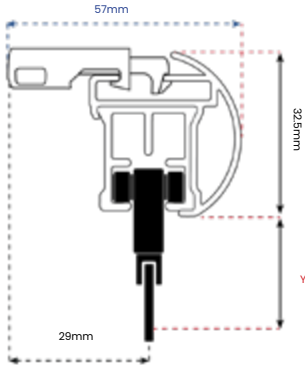


Decorative Face Fix - Flat Hand Drawn

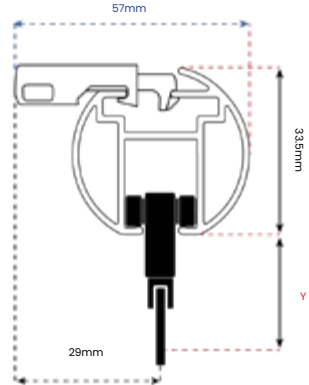


### Ceiling Bracket

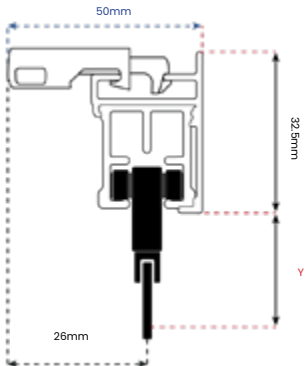
Round Motorised



Round Hand Drawn



Flat Motorised



Flat Hand Drawn

